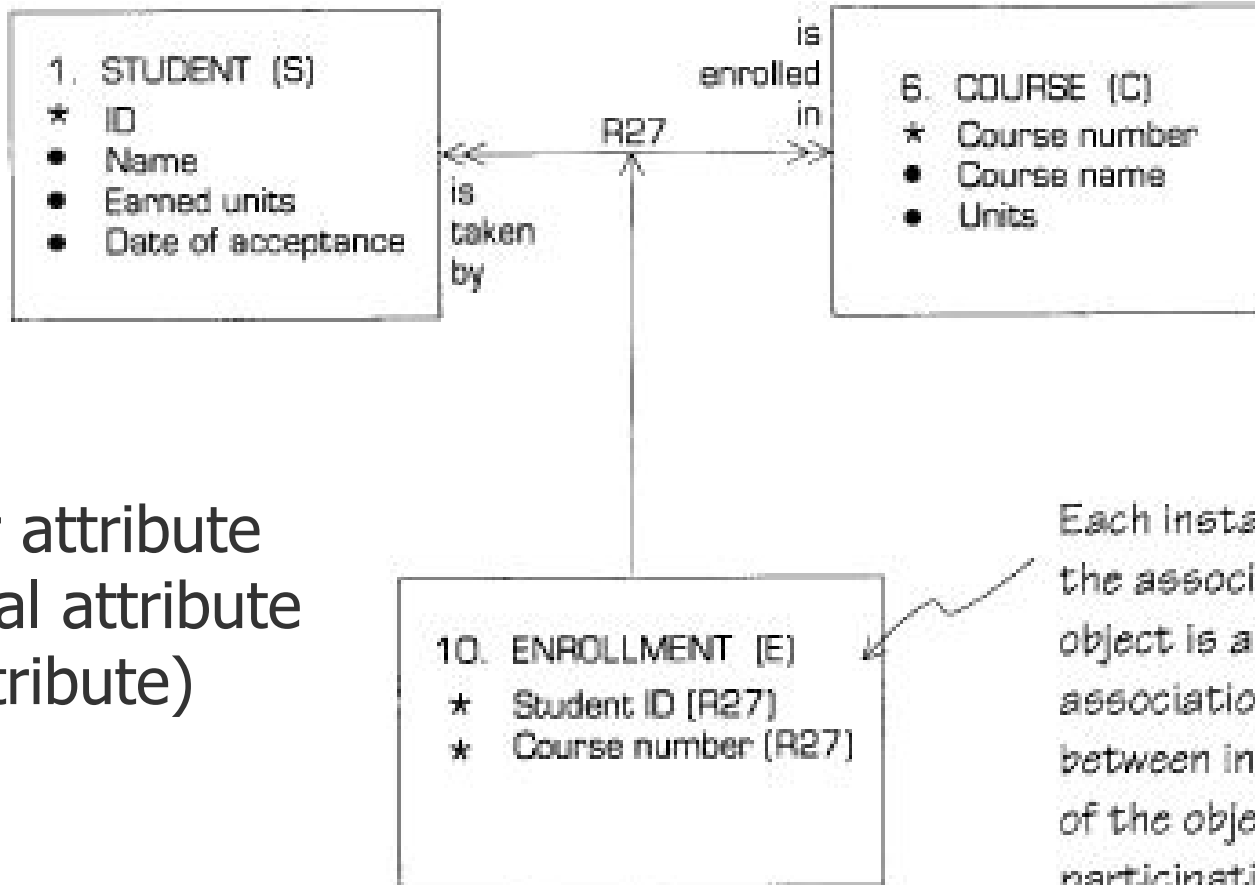


Recursive Referentials & Polymorphic Events



May 2017

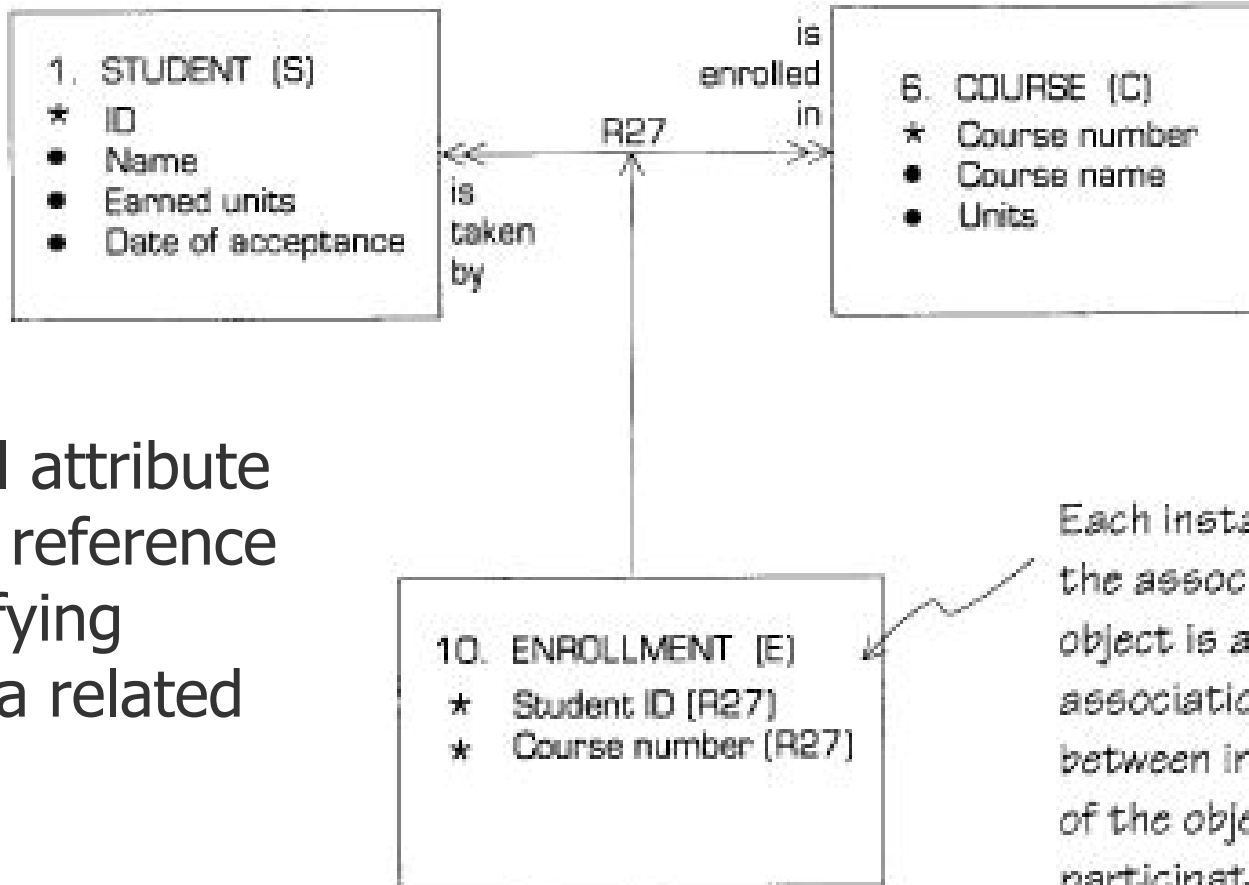
Attributes: Values and Roles



- attribute
- identifier attribute
- referential attribute
- (base attribute)

Each instance of the associative object is an association between instances of the objects participating in the relationship.

Referential Attributes: Foreign Keys



A referential attribute is a copy or reference to an identifying attribute in a related class.

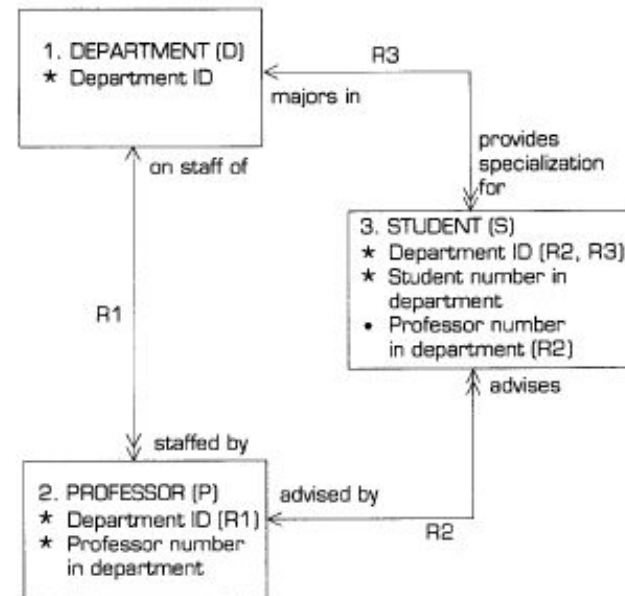
Each instance of the associative object is an association between instances of the objects participating in the relationship.

Combining

- The same referential attributed brought in via formalization of multiple distinct relationships may be *combined* or *collapsed* into a single attribute.

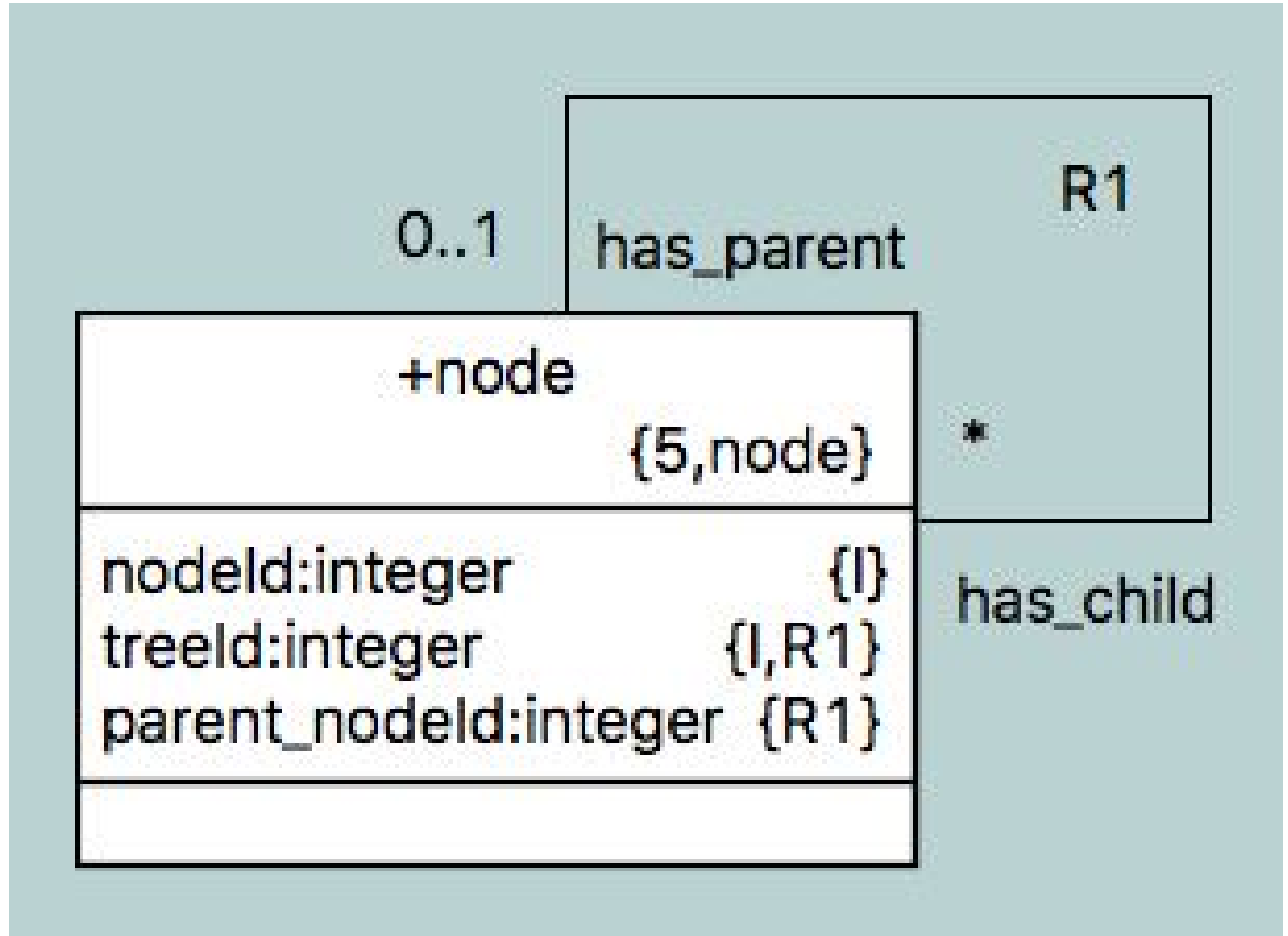
Compound Identifiers

Use of compound identifiers for objects in the loop may result in collapsing the pair of referential attributes to a single referential attribute formalizing two relationships.



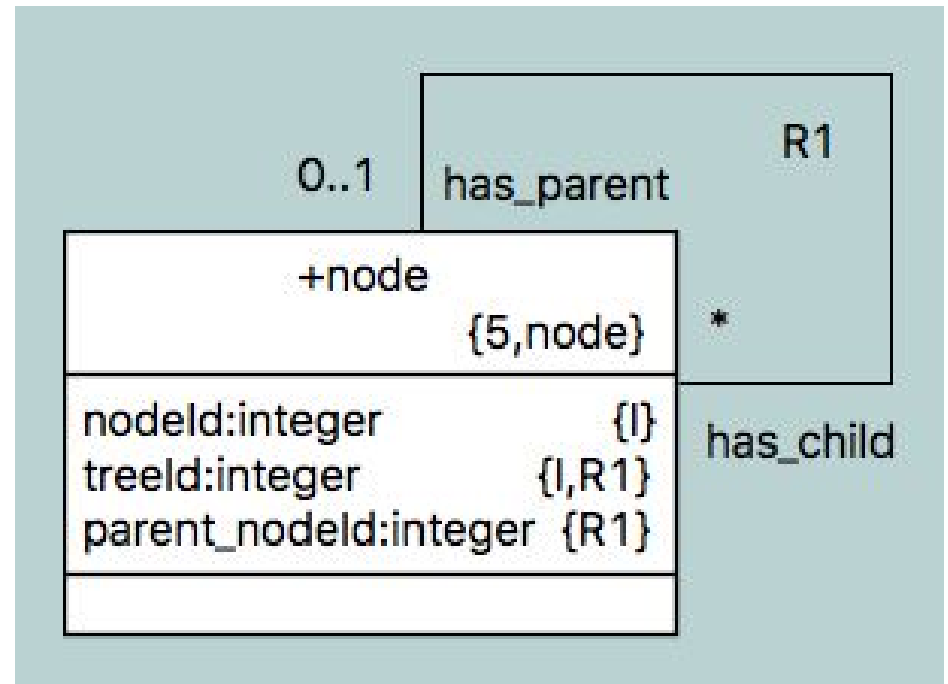
The constraint for this loop of dependent relationships has been captured directly in data.

Recursive Referential Attributes

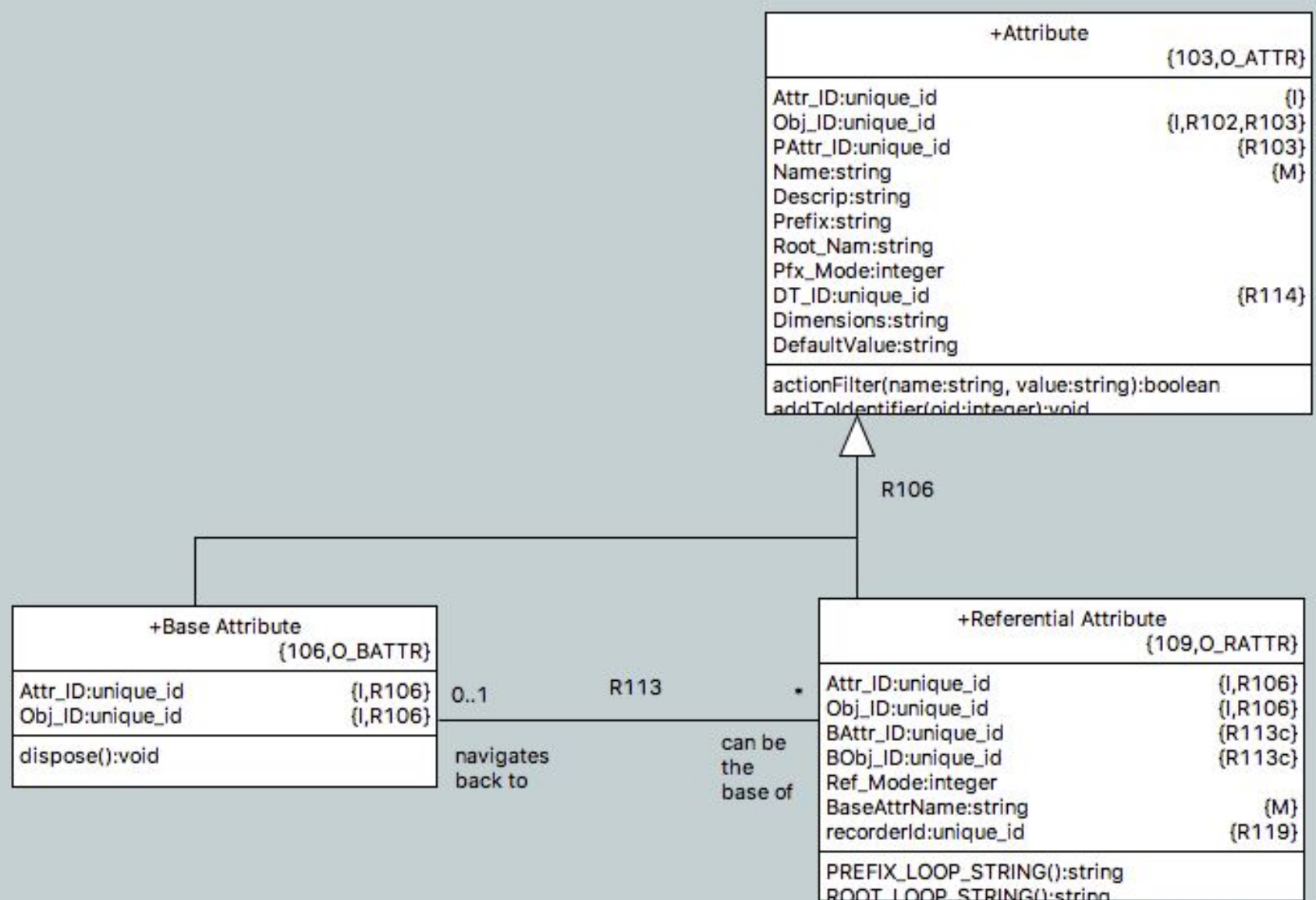


Recursive Referential Attributes

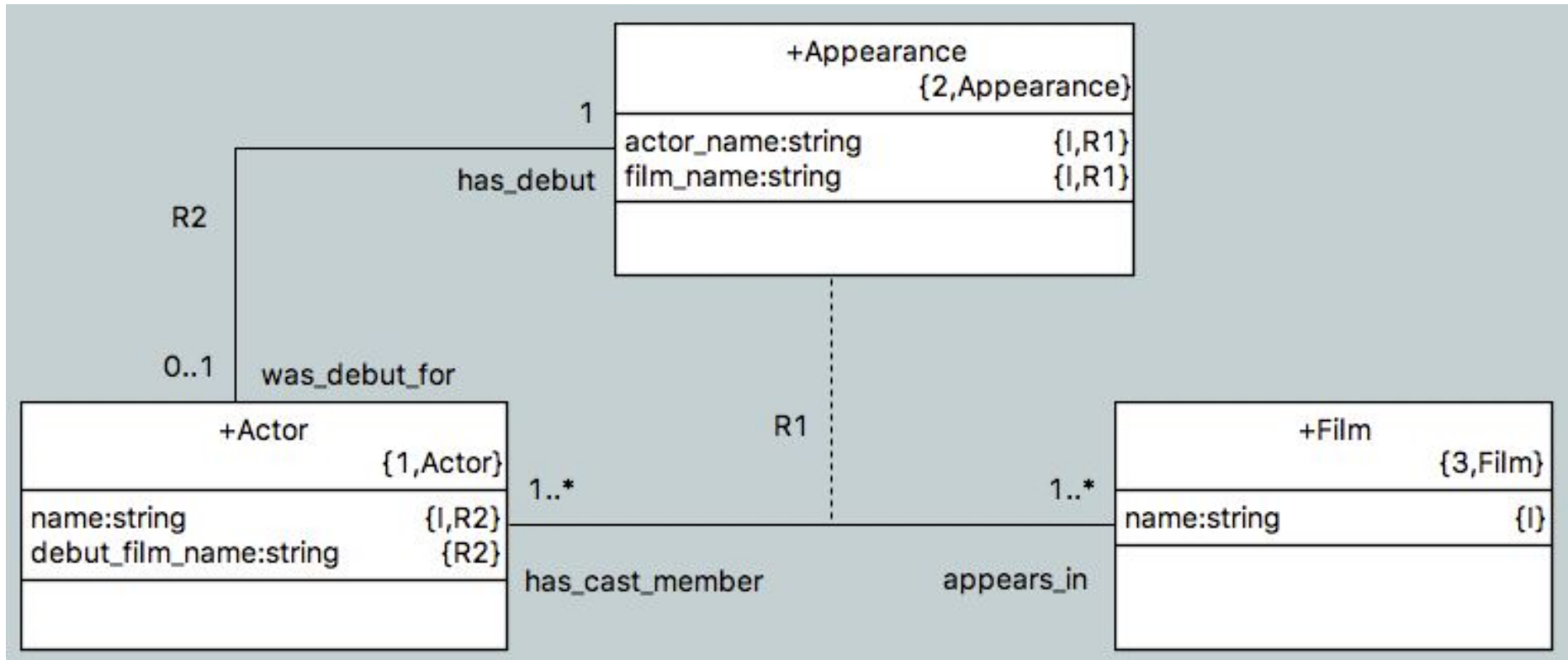
- A referential attribute that is combined with a base attribute which is an identifier is called a *recursive referential* (or *baseless referential*).



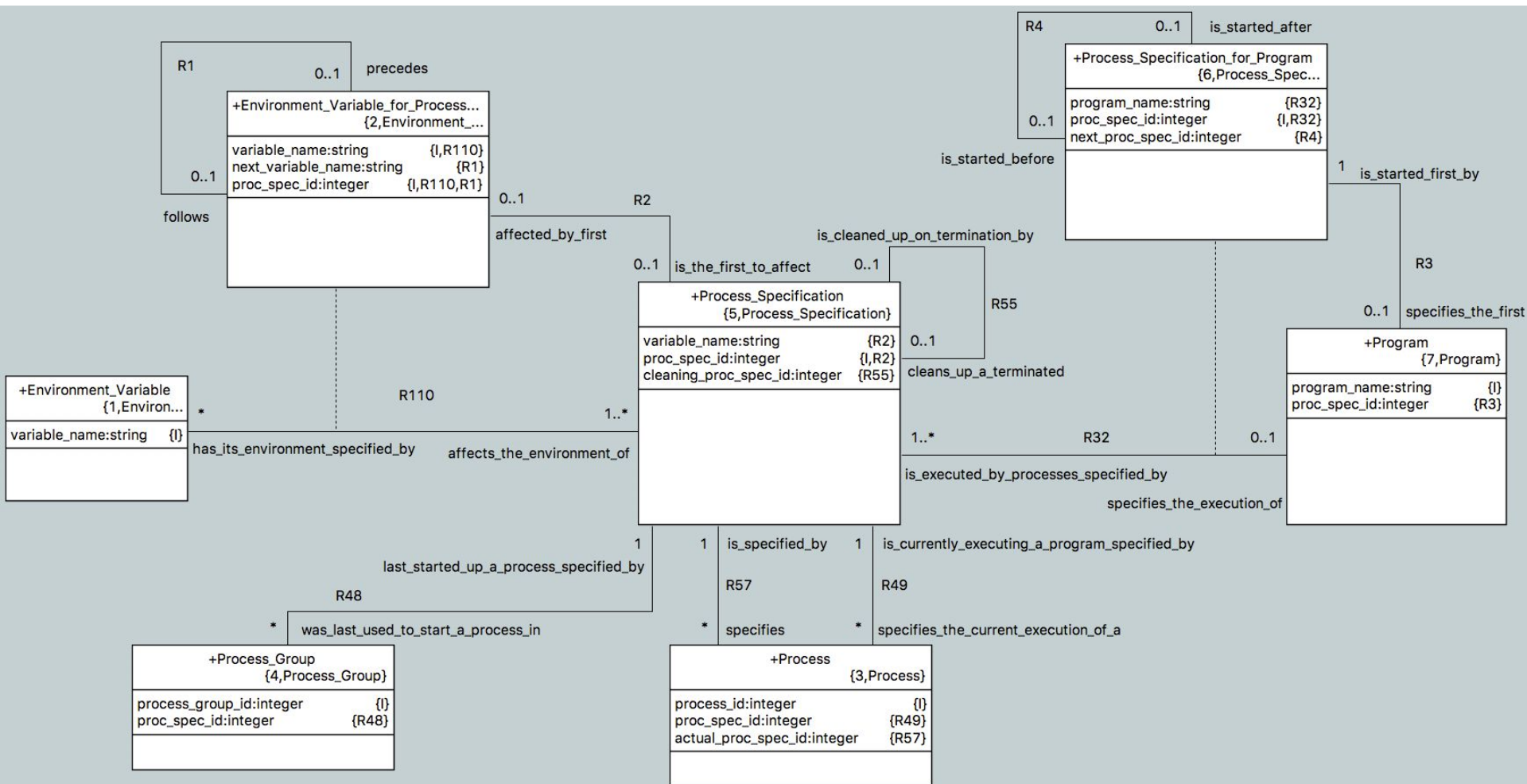
xtUML Metamodel - R113 is Key!



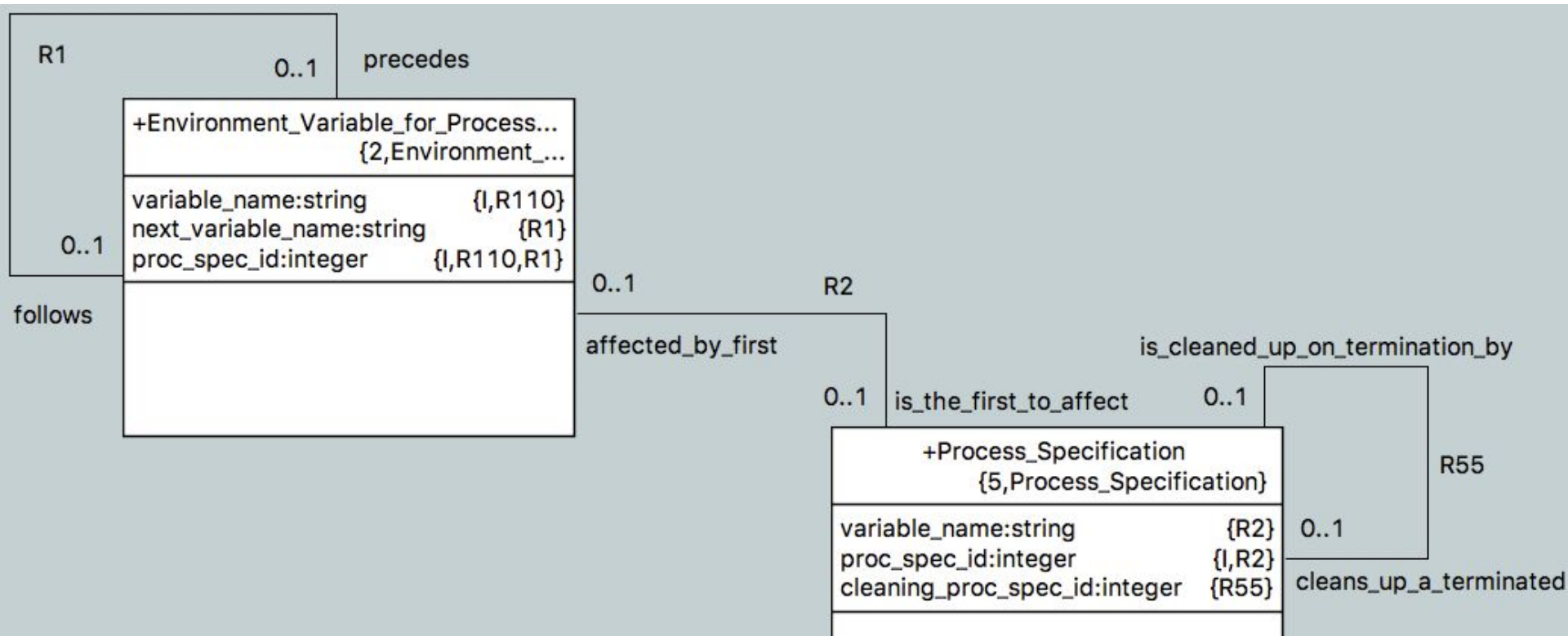
Example Model - Movie Actor



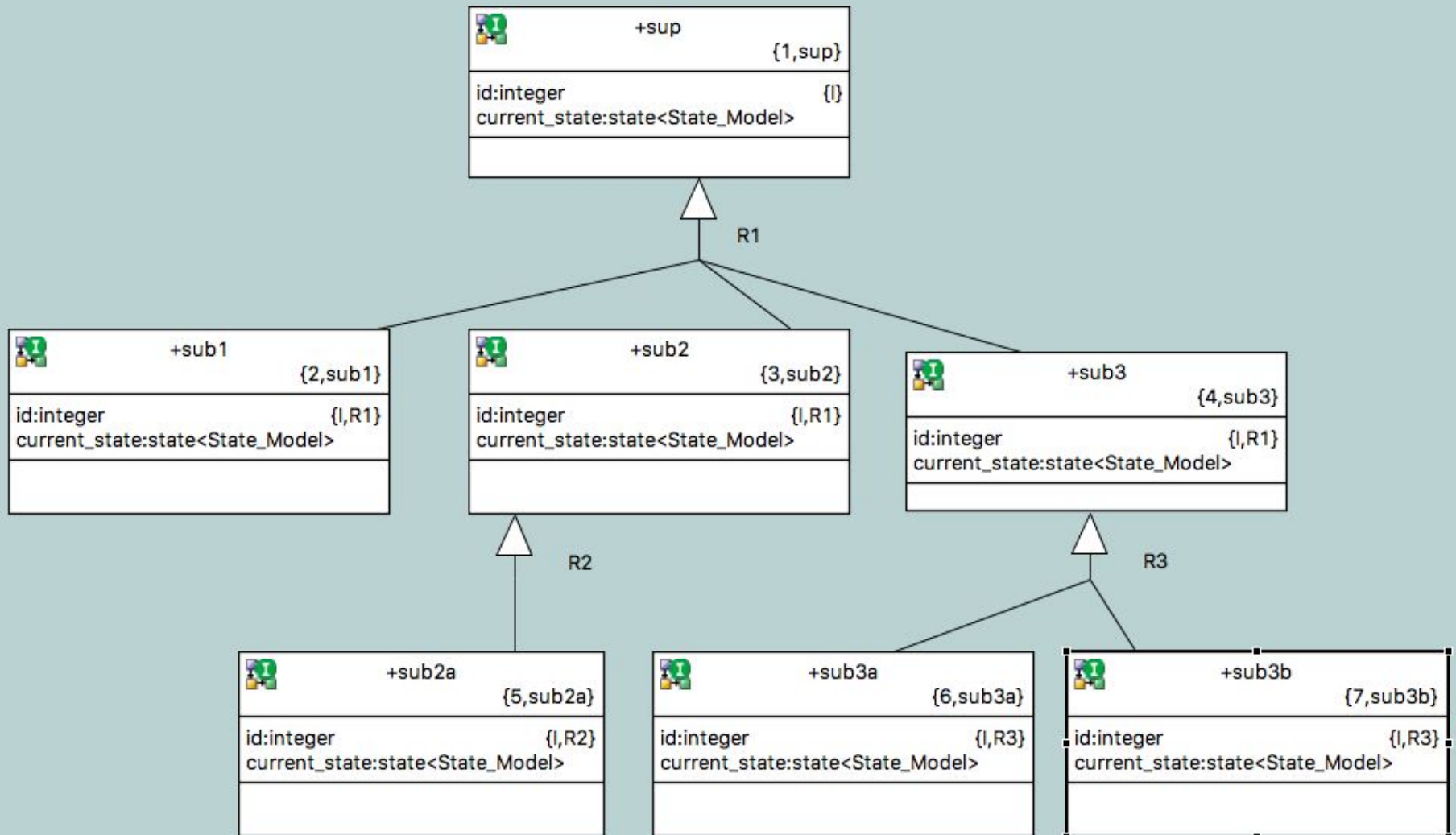
Example Model - Process



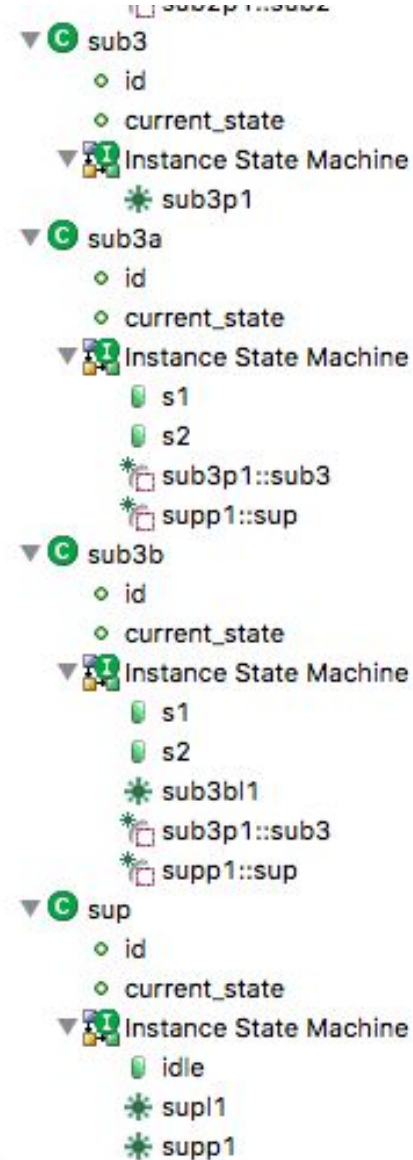
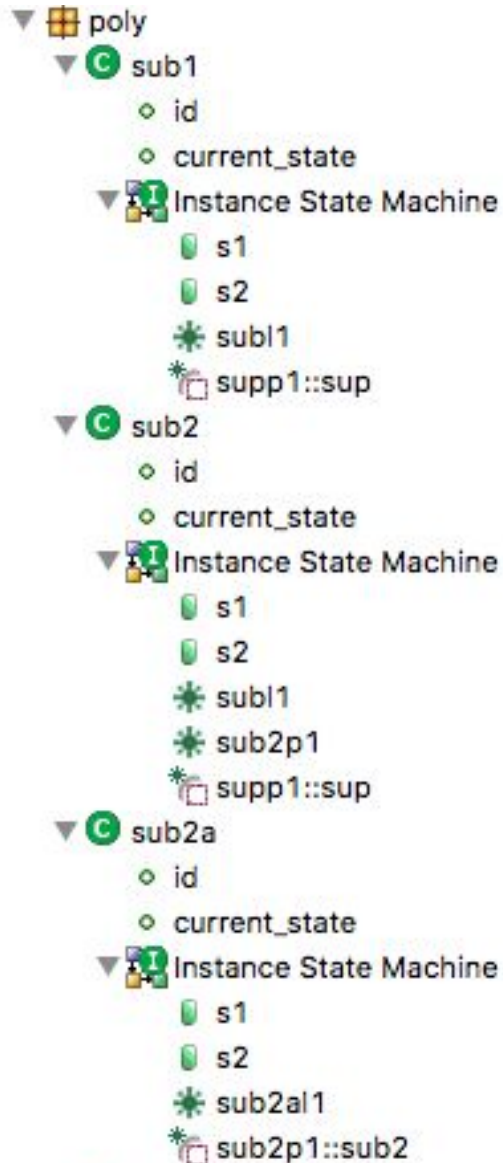
Example Model - Process



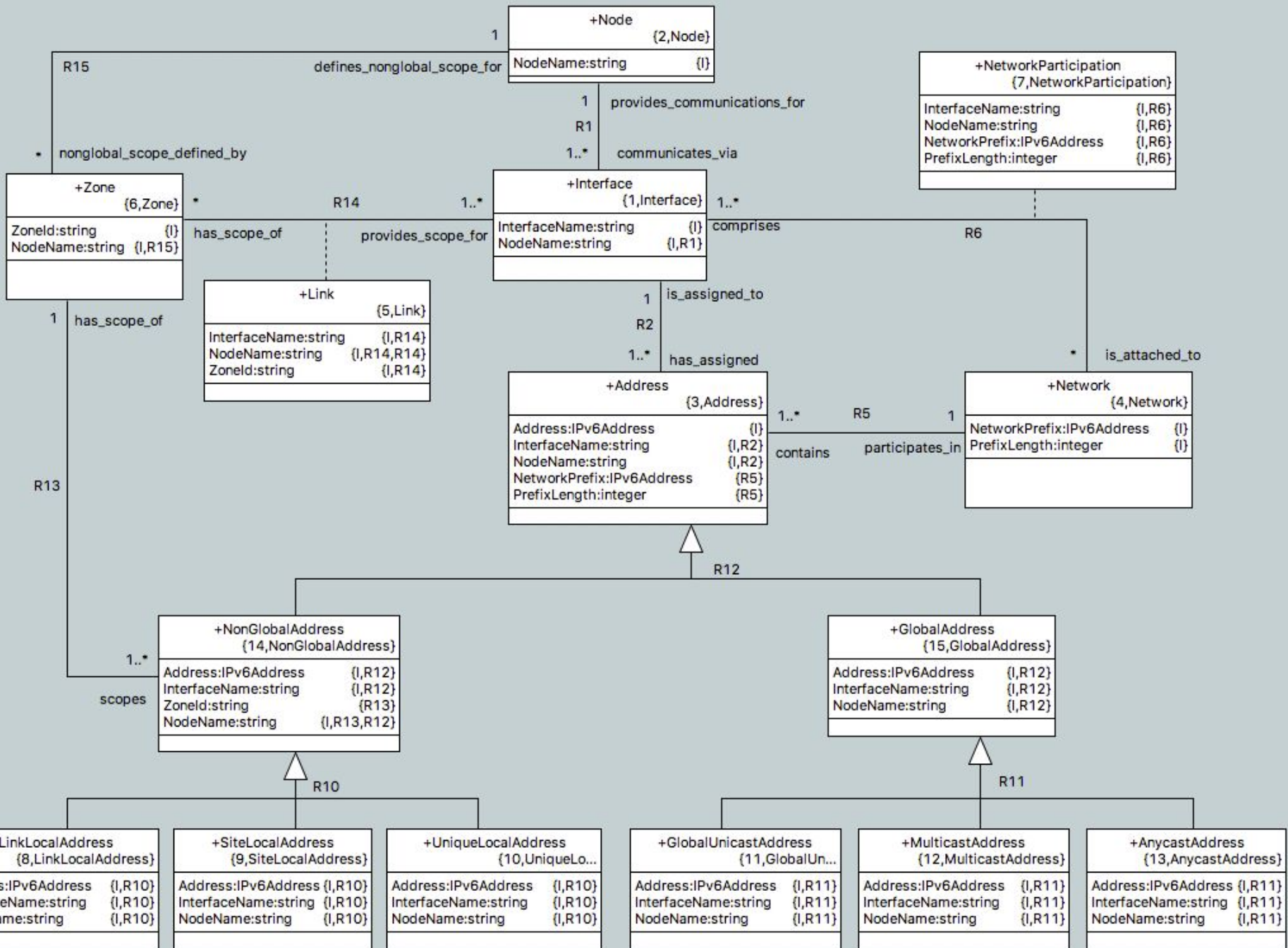
Concrete Polymorphic Events: Example Model



Concrete Polymorphic Events: Tree View



IPv6



OneFact

ONE FACT, INC.

onefact.net